



**John  
BOOS**  
Since 1887

ITEM #: \_\_\_\_\_ QTY: \_\_\_\_\_

MODEL #: \_\_\_\_\_

PROJECT NAME: \_\_\_\_\_

051018

3601 S. Banker St. Effingham, IL 62401 • P.O. BOX 609 • Ph: (888) 431-2667 • Fax: (800) 433-2667

## "MET-WC" METROPOLITAN WIRE CART

### FEATURES:

- WIRE CART WITH 1-1/2" BLENDED MAPLE, CHERRY, OR WALNUT TOP AND VARNIQUE FINISH
- MAPLE, CHERRY, OR WALNUT TOP WITH EASED EDGES AND VARNIQUE FINISH
- 2 ADJUSTABLE HEIGHT WIRE SHELVES WITH NUMBERED POST
- OPTION OF BLACK WIRE SHELF OR CHROME PLATED WIRE SHELF
- 500 LB CASTER CAPACITY EVENLY DISTRIBUTED
- 3" LOCKING CASTERS

### CONSTRUCTION:

- 1" DIAMETER LEGS WITH BLACK EPOXY OR CHROME PLATED WIRE SHELVES

### MATERIAL:

- DECK: BLENDED MAPLE, CHERRY, OR WALNUT
- BASE: CHROME PLATED WIRE UNLESS NOTED AS BLACK EPOXY FINISH



MET-MWC-1



MET-WWC-1



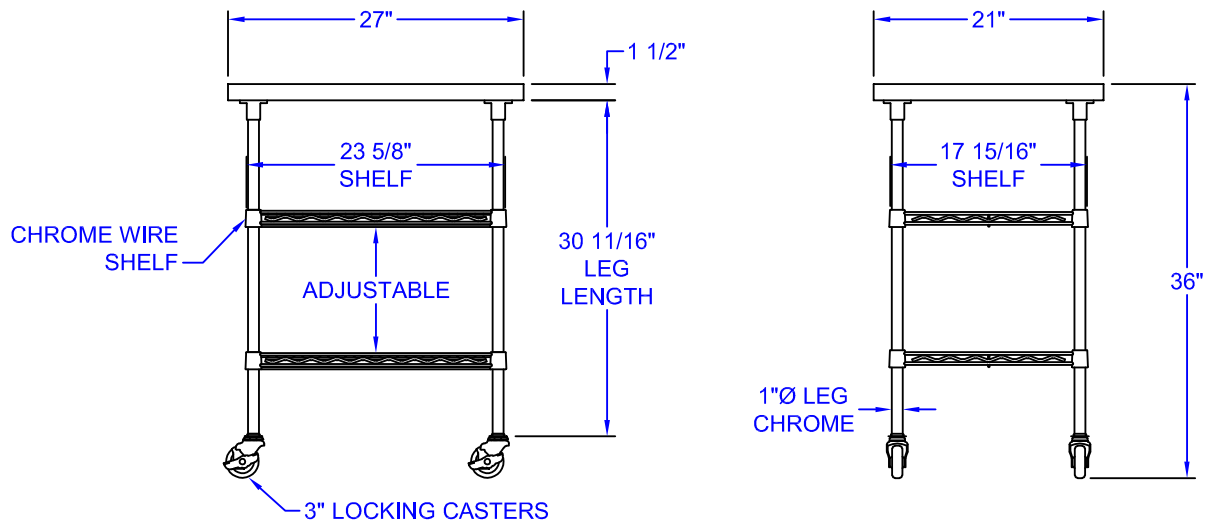
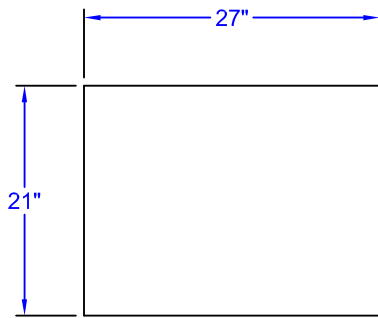
MET-WWC-1

### METROPOLITAN WIRE CART

MODEL #	QTY
MET-MWC-1	
MET-MWC-2	
MET-MWCK-1 *	
MET-MWCK-2 *	
MET-CWC-1	
MET-WWC-1	
MET-WWC-2	
MET-WWCK-1 *	
MET-WWCK-2 *	

\* BLACK EPOXY FINISH

## DETAILED SPECIFICATIONS



### METROPOLITAN WIRE CART

MODEL #	SIZE	DESCRIPTION	HEIGHT	WEIGHT (LBS)
MET-MWC-1	27" X 21" X 1-1/2"	MAPLE TOP, CHROME SHELVES	36"	58
MET-MWC-2	33" X 27" X 1-1/2"	MAPLE TOP, CHROME SHELVES	36"	79
MET-MWCK-1 *	27" X 21" X 1-1/2"	MAPLE TOP, BLACK SHELVES	36"	58
MET-MWCK-2 *	33" X 27" X 1-1/2"	MAPLE TOP, BLACK SHELVES	36"	79
MET-CWC-1	27" X 21" X 1-1/2"	CHERRY TOP, CHROME SHELVES	36"	56
MET-WWC-1	27" X 21" X 1-1/2"	WALNUT TOP, CHROME SHELVES	36"	54
MET-WWC-2	33" X 27" X 1-1/2"	WALNUT TOP, CHROME SHELVES	36"	72
MET-WWCK-1 *	27" X 21" X 1-1/2"	WALNUT TOP, BLACK SHELVES	36"	54
MET-WWCK-2 *	33" X 27" X 1-1/2"	WALNUT TOP, BLACK SHELVES	36"	79

\* BLACK EPOXY FINISH

SOME UNITS SHIP UNASSEMBLED FOR REDUCED SHIPPING COST. ALL DIMENSIONS ARE TYPICAL. TOLERANCE +/- .500"  
 John Boos & Co. is constantly engaged in a program of improving products and therefore reserves the right to change specifications without prior notice.



3601 S. Banker St. • Effingham, IL 62401 • PO BOX 609 • quotes@johnboos.com

021218



[www.johnboos.com](http://www.johnboos.com)

137